



Added cooking flexibility

Designed to co-ordinate with your traditional AEG oven, widening the range of cooking options available, and providing extra oven space.

Designed to co-ordinate with your traditional AEG oven, widening the range of cooking options available, and providing extra oven space.

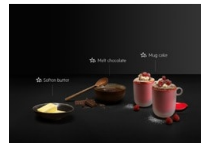
Product Benefits & Features

All it takes is a touch to open the microwave

The microwave oven has been designed with an electronic, touch-activated door. This means that it opens with just a tap. Providing quick and convenient access to what is inside.

Instant access to customised functions

Frequently used microwave settings can be saved and accessed quickly with the favourite functions. Once a customised programme has been set, simply activate it via the star-shaped icon. No need to remember the exact settings each time. It's convenience, at a touch.



A sleek design for quick cleaning

Cleaning is at its most convenient with this microwave oven. Its sleek design means that there is nowhere for dirt to get stuck. No buttons. Just a smooth glass surface. Ensuring a spotless finish every single time.

Defrost food quickly and efficiently

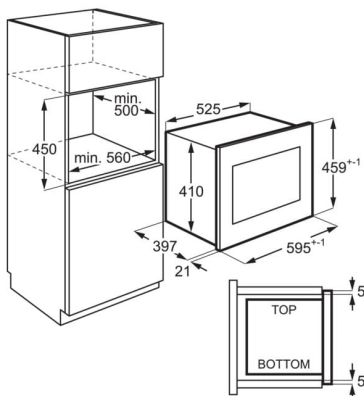
Frozen flavours are unlocked quickly with the microwave oven's defrost function. Select the food type and the weight. The microwave will start after automatically calculating the time required. This ensures fast results while preserving the taste and texture of every ingredient.

- Clock & Timer
- Audible End Signal
- Child lock
- Quick Start
- Defrosting Programmes

Product Specification

Maximum Microwave Output (W)	900
Number of Power Levels	5
Capacity (L)	26
Plug or Hardwired	UK Moulded Plug
Noise (dB)	60
Installation Type	Fully Built In
Dimensions (mm) (HxWxD)	459x596x404
Built-in Dimensions (mm) (HxWxD)	450x562x500
Frequency (Hz)	50
Colour	Black
Cavity Material	Painted Steel
Voltage (V)	230
Required Fuse (A)	10
ProdPartCode	E - Generic Partner All
Internal Dimensions (mm) (HxWxD)	192x348x370
Grill	No
Pre-programmed	Child Lock, Instant On/+30 Seconds, Quick Start
Signals	End signal, Touch signal
Turntable	Yes
Turntable Diameter (mm)	325

PSGBMC220DE00002



PSGBMC220DE00004

