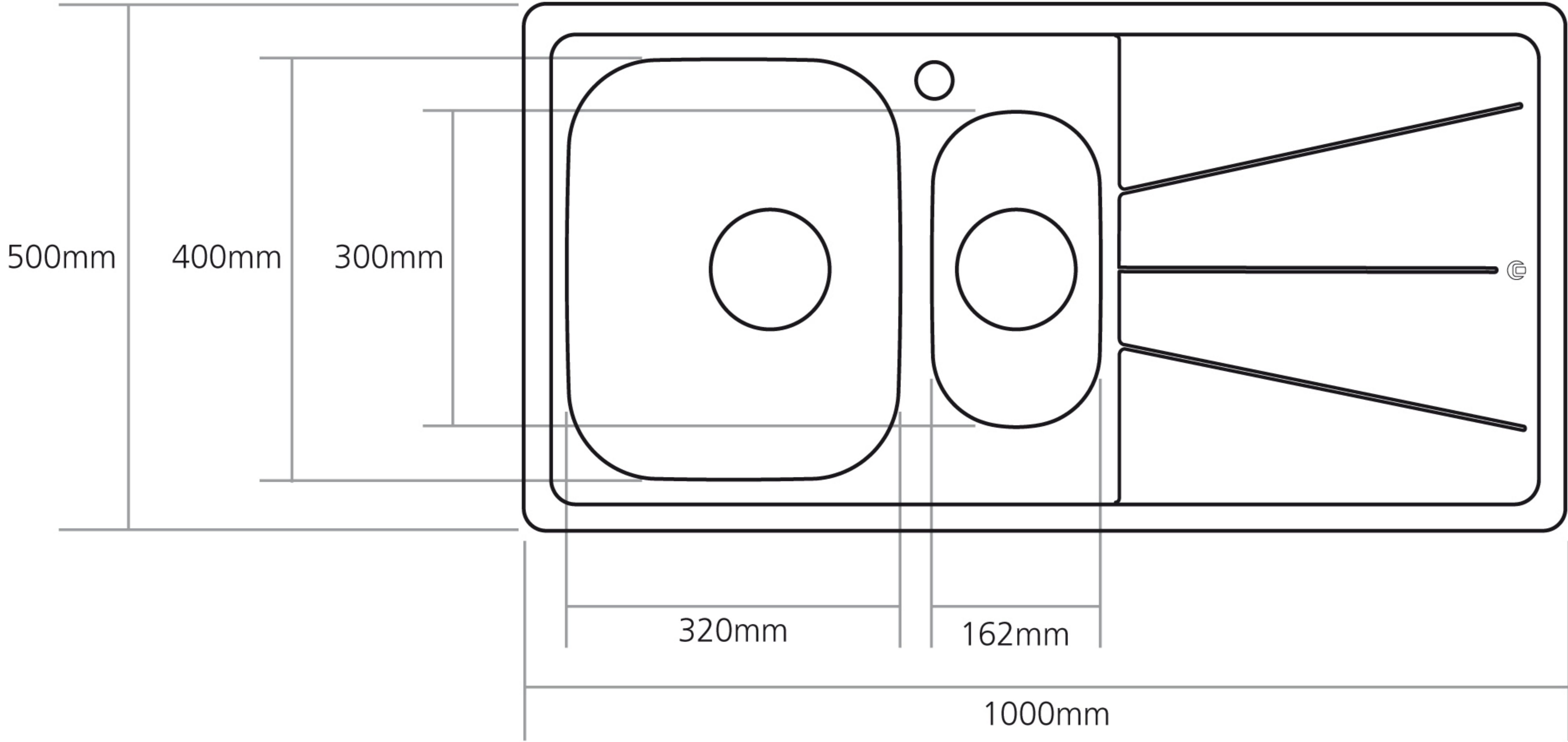


Dimensions



Main bowl depth 200mm

Small bowl depth 128mm

Min. base unit 600mm

Cut out size 978 x 480mm