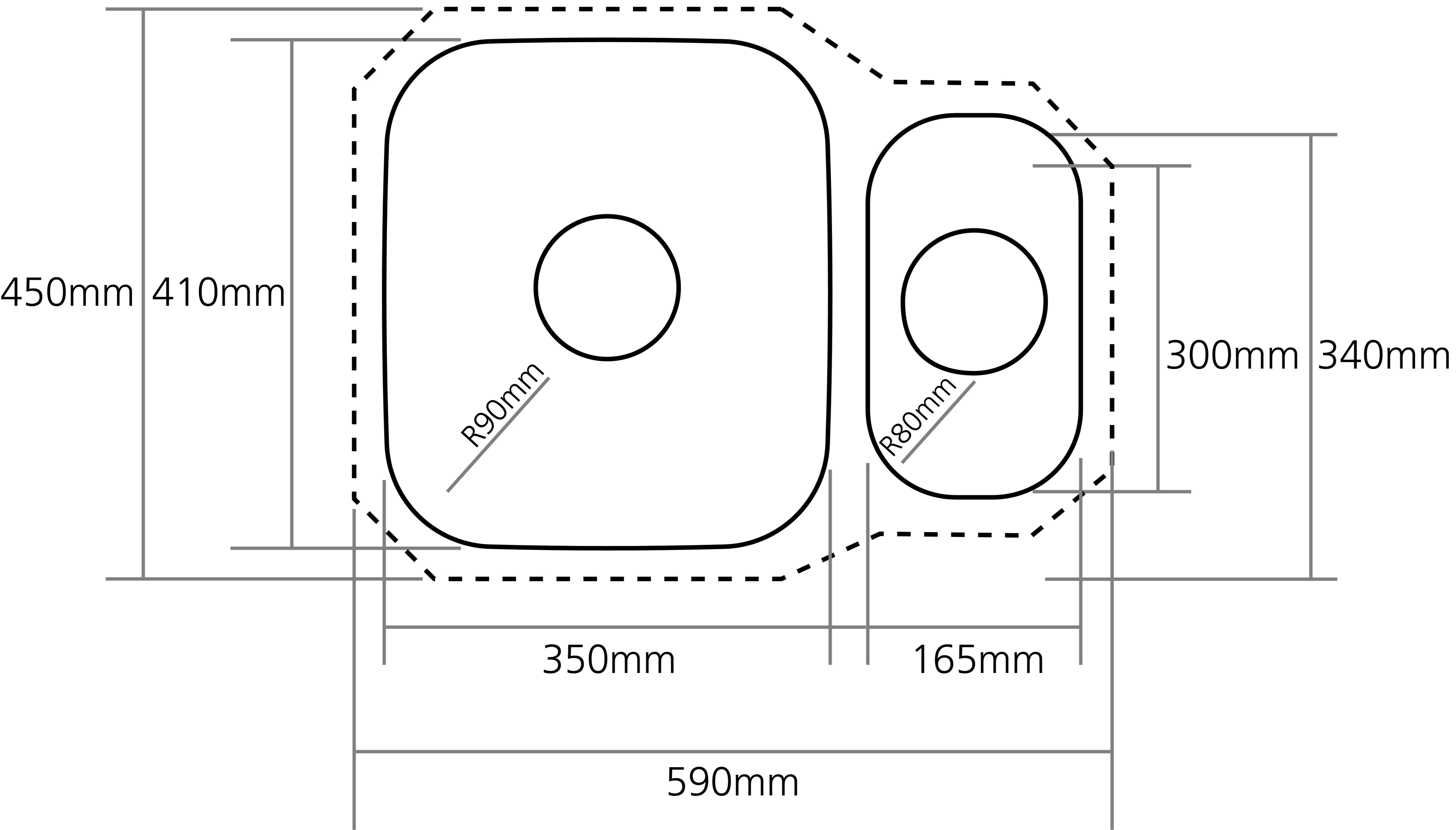


# Dimensions



Main Bowl depth 180mm

Small Bowl depth 125mm

Min. base unit 600mm

Use template for cut-out shape  
see [www.cagle.co.uk](http://www.cagle.co.uk) for template