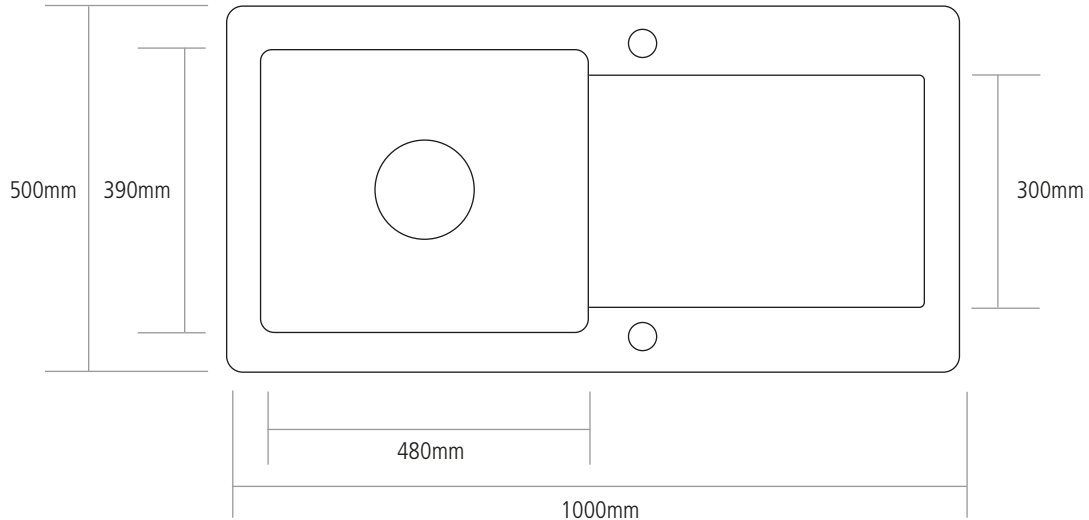


DIMENSIONS



BOWL DEPTH: 185MM

OVERALL SINK DEPTH: 210MM

MIN. BASE UNIT: 600MM

CUT-OUT SIZE: 970 x 470MM

Carcase may need to be adapted to accommodate tap tails if using a 600mm carcass

NOTE: All sink dimensions may vary by plus-or-minus 2%