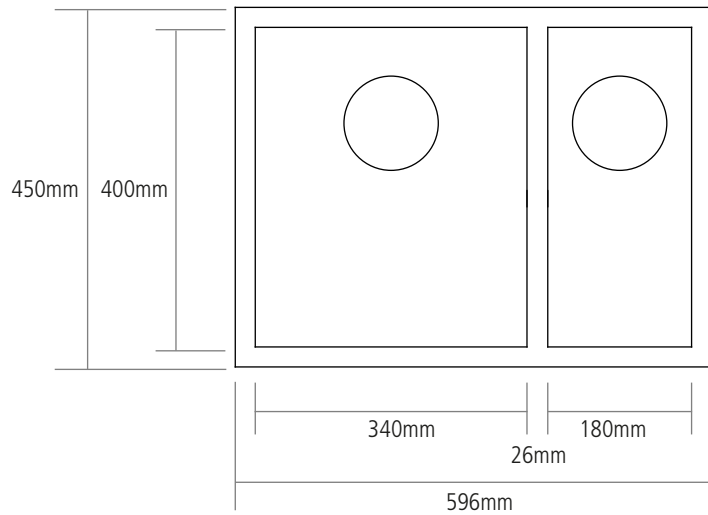


# DIMENSIONS



MAIN BOWL DEPTH: 200MM

SMALL BOWL DEPTH: 140MM

MIN. BASE UNIT : 600MM

UNDERMOUNT CUT OUT SIZE: 546 x 400MM

INSET CUT OUT SIZE: 575 x 429MM