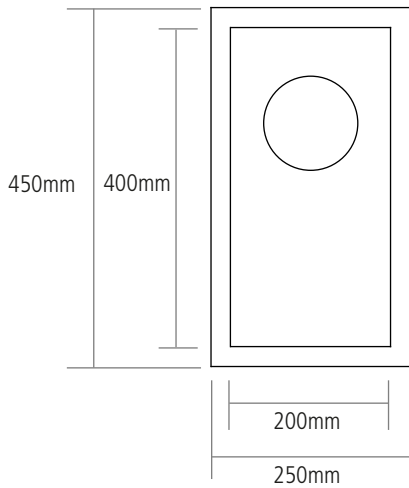


# DIMENSIONS



BOWL DEPTH: 140MM

MIN. BASE UNIT : 300MM

UNDERMOUNT CUT OUT SIZE:  
200 x 400MM

INSET CUT OUT SIZE:  
229 x 429MM

FOR CUT-OUT SHAPE GO TO  
[WWW.CAPLE.CO.UK](http://WWW.CAPLE.CO.UK)