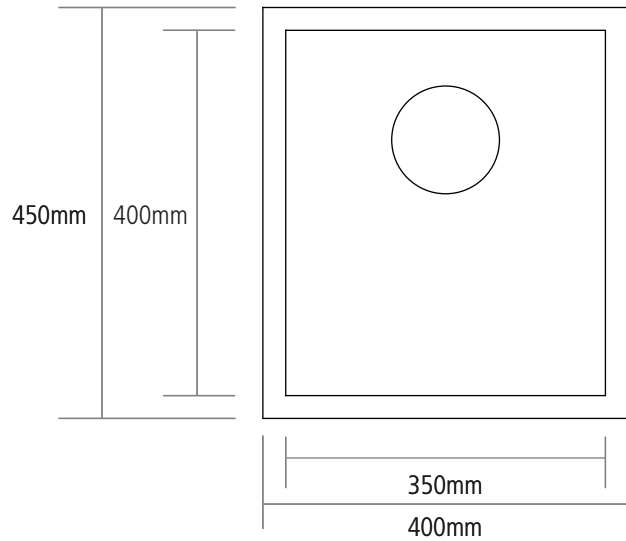


# DIMENSIONS



BOWL DEPTH: 200MM

MIN. BASE UNIT : 400MM

UNDERMOUNT CUT OUT SIZE:  
350 x 400MM

INSET CUT OUT SIZE:  
379 X 429MM

FOR CUT OUT SHAPE GO TO  
[WWW.CAPLE.CO.UK](http://WWW.CAPLE.CO.UK) FOR TEMPLATE