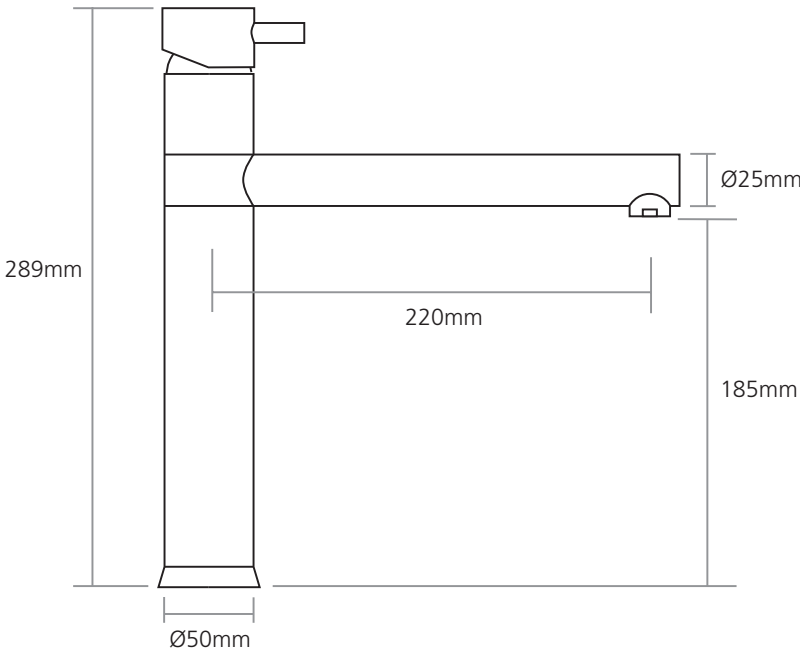


Product installation diagrams

Models:
ATL2-CH



Worktop cut-out 35mm required