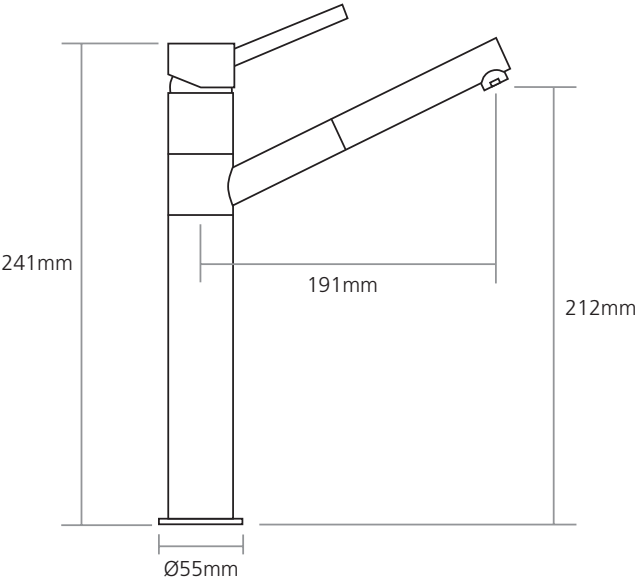


Product installation diagrams

Models:
BRO-SP-CH



Worktop cut-out 35mm required
Note: Pull out hose extends by 650mm
