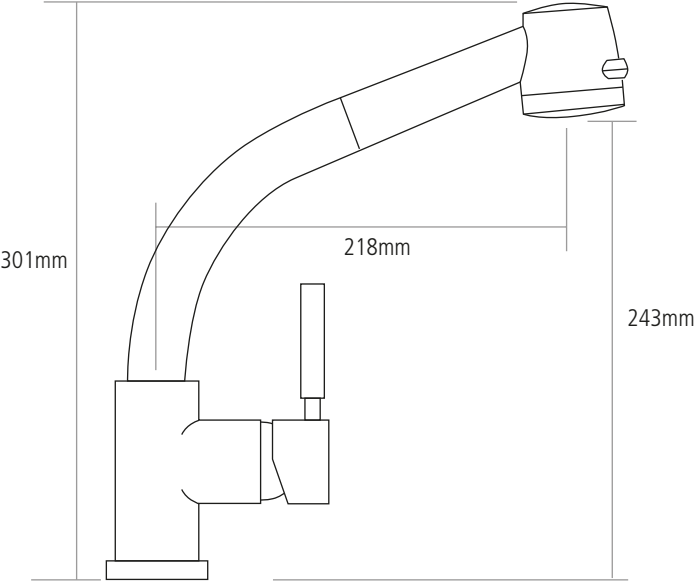


# DIMENSIONS



Worktop cut-out 35mm required  
Note: Pull-out hose extended by 500mm