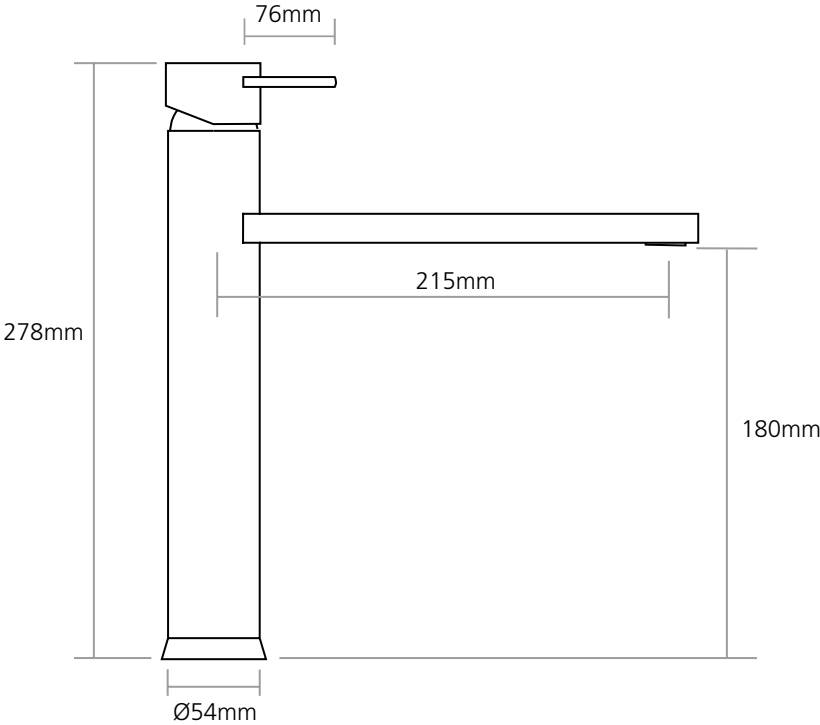


Product installation diagrams

Models:
HAY/SS



Worktop cut-out 35mm required
