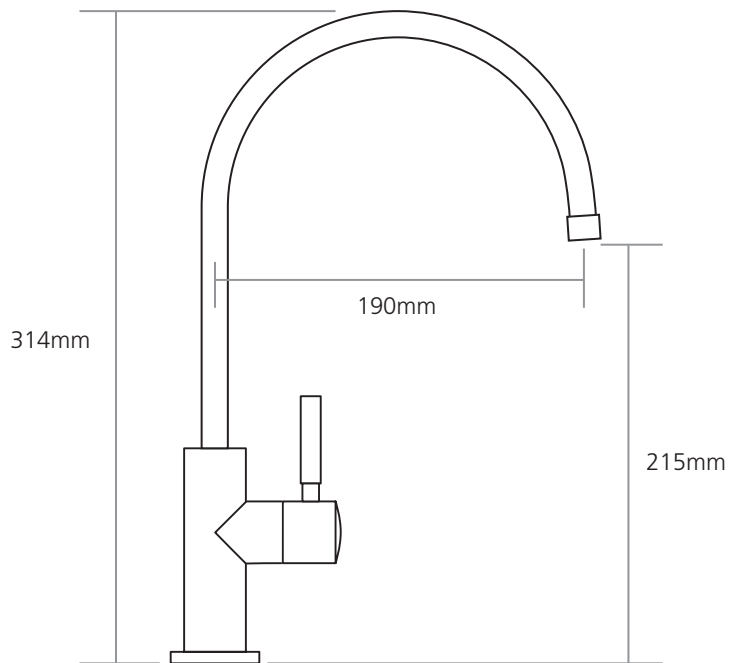


# Product installation diagrams

---

Models:  
LAYPUR2-SS



*Worktop cut-out 20mm required*

---